

PANORAMIC HM

Panoramic HM, high specifications for high performances

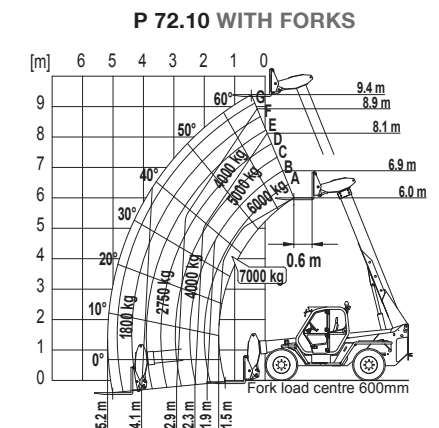
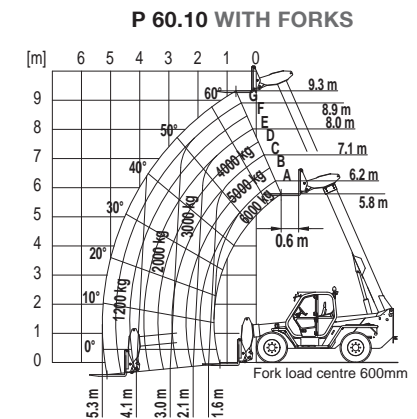
A complete range of products able to match all different customer needs when it comes to our heavy duty range



Merlo has two distinct families in the high-capacity class: the first belongs to the high-end Panoramic range with lifting capacities from 6 and 7.2 tonnes (P60.10 & P72.10) in the 10 metre class; the second, named HM, completes the offering with load capacities up to an impressive 10 tonnes with booms from 10 up to 18 metres (P50.18HM P65.14HM P120.10HM).

Since the latter is a specific family, the characteristics are also different.

- ✓ The largest cab in its category, the best comfort level
- ✓ Level II ROPS and FOPS cam compliant
- ✓ M CDC Dynamic load control as standard
- ✓ Tilting system and boom side shift as standard
- ✓ Hydraulic load sensing as standard
- ✓ Engines: powers of 101 HP (no DPF or SCR)
- ✓ Hydrostatic transmission with 2 speed gearbox
- ✓ Agricultural type-approval
- ✓ -18% consumption with EPD (standard on HM)
- ✓ HM power 176 HP with SCR
- ✓ CVTronic transmission (standard on HM)
- ✓ Regenerative system (standard on HM)
- ✓ Electronic Joystick with auto-accelerating and reversing system, duplicated on the steering wheel





Overseas model shown