

MULTIFARMER

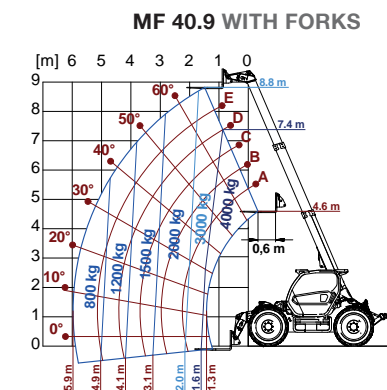
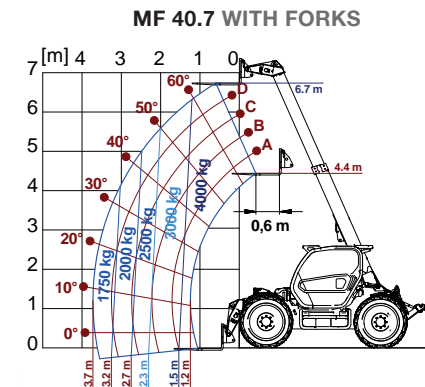
Merlo's telescopic tractor

The world first crossover between a tractor and a telehandler



The Multifarmer family and its MF 40.7 and MF 40.9 models are Heavy Duty telehandlers with booms capable of handling 4 tonnes loads at 7 or 9 metres height. They are equipped with the M CDC anti-tip over system and 156 HP EPD-controlled engines that reduce fuel consumption by 18%. The Multifarmers can be used for handling materials as well as for conventional tractor applications. In fact, MF 3-point linkage, ELC, and PTO are designed to suit any implement used by conventional tractors, having the same power, for soil preparation and for haulage operations.

- ✓ Suspended cab, the largest in the category, complete with multi-function arm-rests
- ✓ M CVTronic transmission. from 0 to 40 km/h without torque interruption
- ✓ Mechanical rear PTO: 540/1000, 21 spline-shaft to suit any implements of this HP class
- ✓ Four external spool valves for rear mounted implements
- ✓ Three point linkage lifting: Cat II Lifting capacity 7000 kg. External button controls.
- ✓ Load capacities up to 4000 kg.
- ✓ Hydraulic braking system or air braking system.
- ✓ Diesel engine with 156 HP.
- ✓ Maximul lift height: 7 m and 9 m
- ✓ BSS: The boom suspension system provides greater payload stability, higher average speed and productivity





Overseas model shown