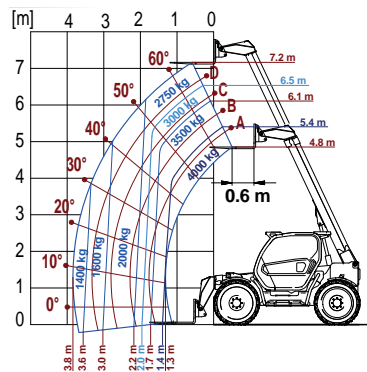


MEDIUM DUTY TURBOFARMER II

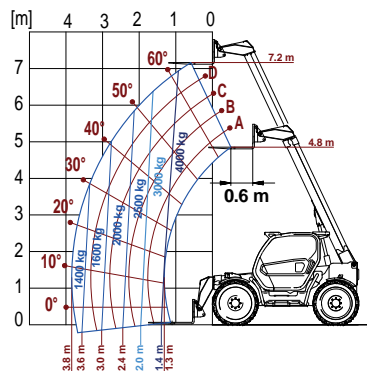
6 versions designed for the Australian market

The best in class for compactness and productivity

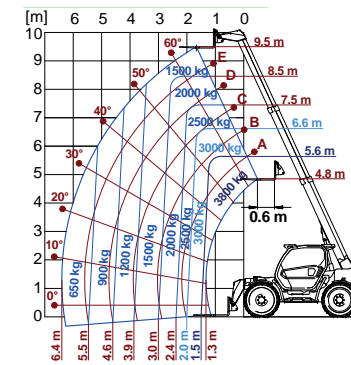
TF 42.7 WITH FORKS



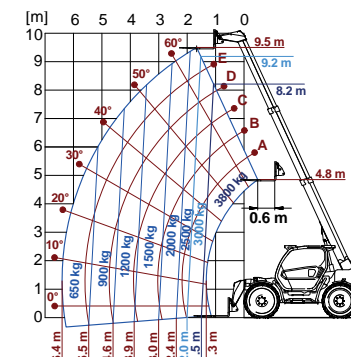
TF 42 .7TT WITH FORKS



TF 38.10 WITH FORKS



TF 38.10 TT WITH FORKS



Nwe Turbofarmer ranges: 6 models with 3 boom dimensions (7, 9 and 10 metres) and load capacity from 3300 to 4200 kg.

The engine and hydrostatic transmission are electronically controlled for better performance.

The transmission is also equipped with a two-speed mechanical gearbox designed to suit speed from zero to 40 km/h, it's also available the M CVTronic gearbox. Its low centre of gravity and correct weight distribution allow excellent stability and the permanent 4WD system allows for the best traction. Comfort is assured by a cab designed and manufactured by Merlo. 1010 mm cab width is the best in its class. The driving position and controls have been designed according to the latest ergonomic standards to ensure the maximum comfort.

- ✓ Maximum lift height: 7, 9 and 10 metres are the most popular lift height.
- ✓ Maximum load capacity: from 3300 kg to 4200 kg.
- ✓ Three different engine powers are available: Kubota 74kW/100HP, Deutz 85kW/115HP and 100kW/136HP.
- ✓ Engines and hydrostatic transmissions are electronically controlled.
- ✓ Two-speed mechanical gearbox is designed to suit speed from zero to 40 km/h.
- ✓ M CVTronic designed to accelerate 0 to 40 km/h without torque interruption.
- ✓ BSS.: Boom suspension system for active dampening during material handling (opt).
- ✓ 3-Steering modes: operator can improve manoeuvrability and save time.
- ✓ Cab: Merlo maintains its leadership in operator comfort, ergonomics, and visibility.
- ✓ Engine maintenance: Access to main engines components for easy maintenance.
- ✓ Medium duty: also available with CS.
- ✓ Turbofarmer II: also available with CS, TT & CVTronic.



Overseas model shown